



# **HORNET FLYER**

Hornet Slide-in Inserts provide secure, everything-in-its-place tool and materials storage. The perfect answer for all industrial trades people. Available in long and short-box sizes to fit all the big three pick-up manufacturers without removing the tailgate.

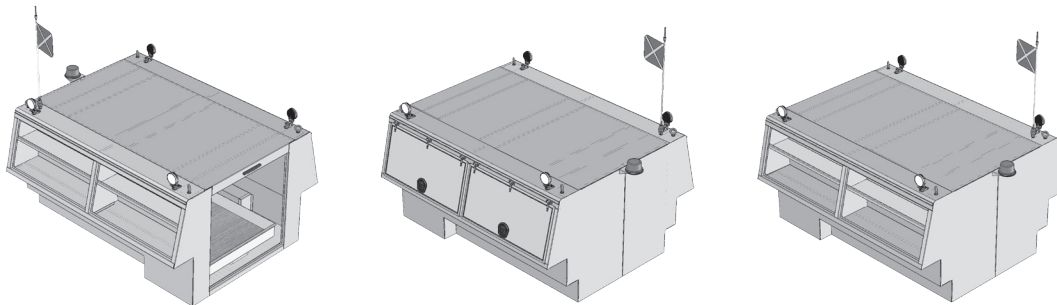
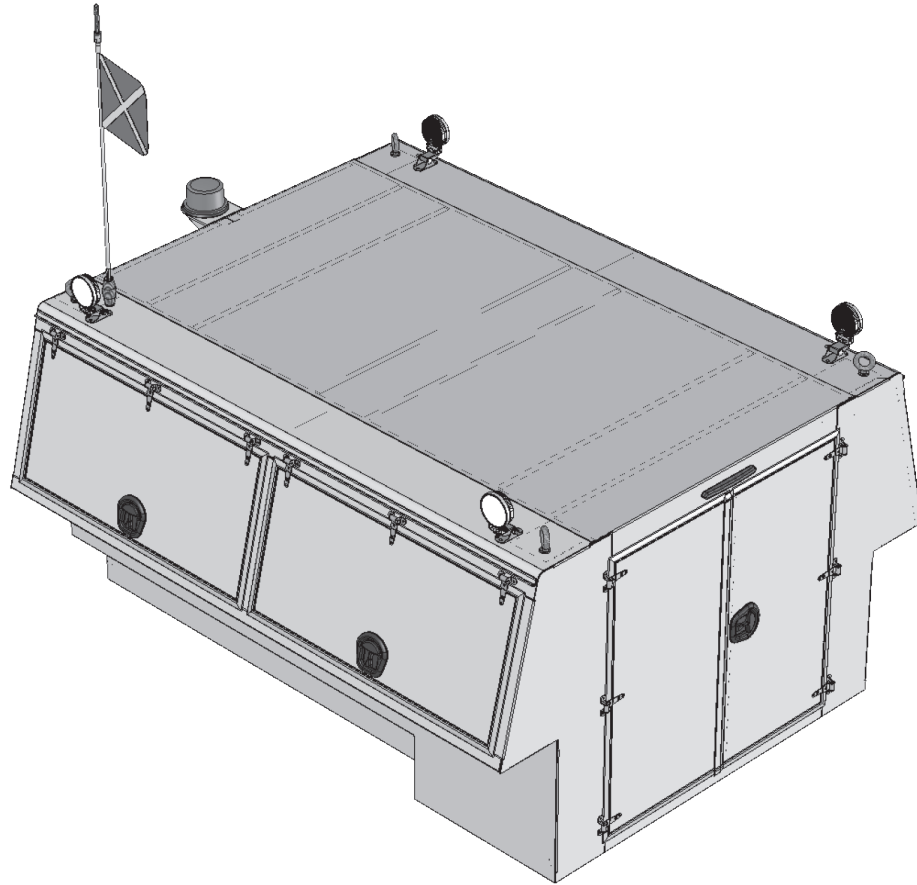
## **STANDARD FEATURES & SPECIFICATIONS**

- **Dimensions: Long-Box - 92" Long, 80" Wide and 48" Tall, 810lbs**  
**Short-Box - 78" Long, 80" Wide and 48" Tall, 710lbs**
- **All Aluminum Body Construction**
- **One Fixed Shelf per Compartment**
- **LED compartment lights switched from cab**
- **Two (2) Gas Shock Door Hold-backs per compartment (Flip-up style doors.)**
- **One LED Cargo area dome light**
- **One LED Rear High 3rd Brake Light**

**Go big when you go small. The Hornet Flyer is a ready-to-fly support product for the local trades contractor.**

**ON THE JOB. ON THE FLY.**

# HORNET FLYER



Flyer is shown here with optional LED Beacon, LED Worklights, Buggy Whip and Roll out Cargo Bed.

**PICK ONE UP AT  
ANY OF OUR THREE  
LOCATIONS:**

#### EDMONTON

8503 Davies Road  
Edmonton, AB. T6E 4N3  
Ph: (780) 468-5331  
Toll Free: 1-800-410-1613  
Fax: (780) 465-5301

#### CALGARY

#150, 5842-86th Avenue  
Calgary, AB. T2C 4L7  
Ph: (403) 250-2115  
Toll Free: 1-800-844-7194  
Fax: (403) 250-1925

#### SASKATOON

3410 Millar Avenue  
Saskatoon, SK. S7K 5Y7  
Ph: (306) 242-6878  
Toll Free: 1-800-341-9914  
Fax: (306) 242-3250

**HORNETBODY.CA PROUDLY MADE IN CANADA BY GENERAL BODY AND EQUIPMENT**

