



HORNET STINGER 11

Big enough to take the whole shop with you. Customizable to keep it organized. Get on your way, right away with everything you need.

STANDARD FEATURES & SPECIFICATIONS

- **Dimensions: 134" Long x 96" Wide x 50" Tall**
- **23" Deep Side-Pack compartments**
- **50" Wide Cargo Area**
- **All Aluminum Construction**
- **Front Checker Plate Rock Guards**
- **Double Panelled insulated doors with automotive style bulb seal**
- **Drip Rail compartment leak protection**
- **Heavy duty Mud Flaps**
- **Four (4) Heavy Duty D-Ring Style recessed tie-downs in cargo area**
- **LED Compartment Lights switched from cab**
- **LED Stop, Turn, Tail, Marker Lights, and Back-up Lights**
- **Master Rod-Lock System**
- **3 Piece Telescopic Roof**
- **Reinforced Tailgate complete with Check Chains and reinforcement for Optional Vise Mount**
- **Grab Handles for Cargo Area Access**

DRIVER'S SIDE:

- Front Compartment - Open, Customizable with Optional Drawers, Shelves and Hooks.
- Second Compartment - Open, Customizable with Optional Drawers, Shelves and Hooks.
- Third Compartment (Horizontal, Wheel Well) - One Fixed Shelf and 4" Deep Drawer.
- Rear Compartment - Three Adjustable Shelves

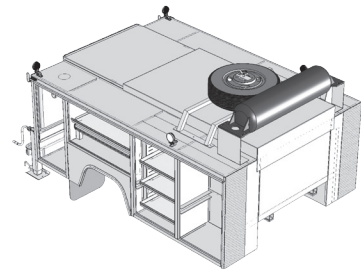
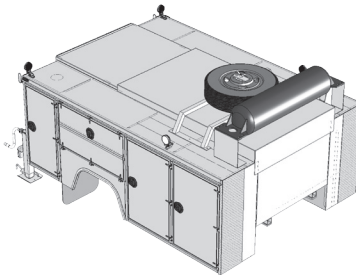
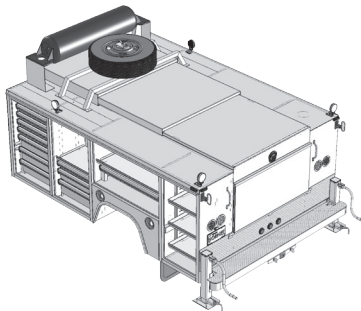
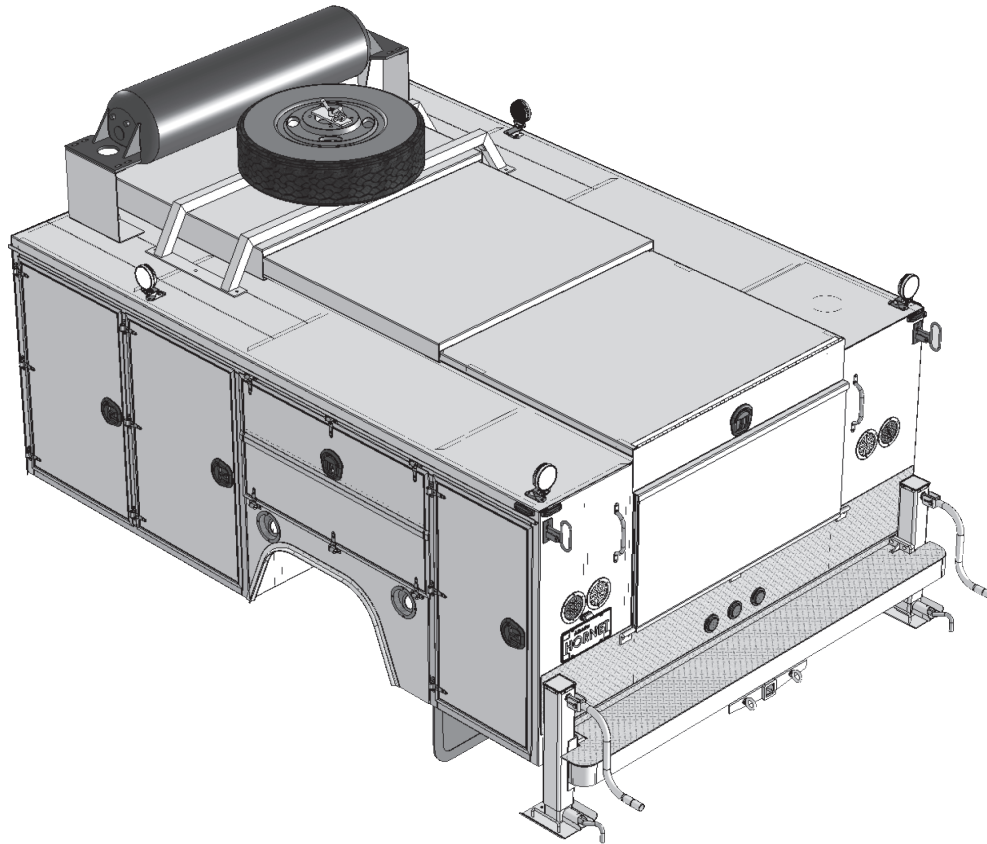
PASSENGER'S SIDE:

- Front Compartment - Open, Customizable with Optional Drawers, Shelves and Hooks. Can also be modified for use as Oxy/Acetylene storage.
- Second Compartment - Open, Customizable with Optional Drawers, Shelves and Hooks.
- Third Compartment - One Fixed Shelf and 4" Deep Divided Bolt Bin Style Drawer.
- Rear Compartment - Reinforced for Optional Crane Mount (up to 38,000 ft. lb Crane) and Four (4) J-Hooks

The Hornet Stinger 11 makes the seamless transition from downtime to uptime in no time.

ON THE JOB. ON THE FLY.

HORNET STINGER 11



Stinger 11 shown here complete with optional Spare Tire Carrier, 35-Gallon Air Receiver, Drawer packs and Manual Outrigger Bumper with Hitch Receiver Tube.

**PICK ONE UP AT
ANY OF OUR THREE
LOCATIONS:**

EDMONTON

8503 Davies Road
Edmonton, AB. T6E 4N3
Ph: (780) 468-5331
Toll Free: 1-800-410-1613
Fax: (780) 465-5301

CALGARY

#150, 5842-86th Avenue
Calgary, AB. T2C 4L7
Ph: (403) 250-2115
Toll Free: 1-800-844-7194
Fax: (403) 250-1925

SASKATOON

3410 Millar Avenue
Saskatoon, SK. S7K 5Y7
Ph: (306) 242-6878
Toll Free: 1-800-341-9914
Fax: (306) 242-3250

HORNETBODY.CA PROUDLY MADE IN CANADA BY GENERAL BODY AND EQUIPMENT

