



# HORNET STINGER 9

Built Great. Less Filling. The Stinger 9 shares many of the same great features as its bigger brother, just a few less compartments to fill up.

## STANDARD FEATURES & SPECIFICATIONS

- **Dimensions: 110" Long x 96" Wide x 50" Tall**
- **23" Deep Side-Pack compartments**
- **50" Wide Cargo Area**
- **All Aluminum Construction**
- **Front Checker Plate Rock Guards**
- **Double Panelled insulated doors with automotive style bulb seal**
- **Drip Rail compartment leak protection**
- **Heavy duty Mud Flaps**
- **Four (4) Heavy Duty D-Ring Style recessed tie-downs in cargo area**
- **LED Compartment Lights switched from cab**
- **LED Stop, Turn, Tail, Marker Lights, and Back-up Lights**
- **Master Rod-Lock System**
- **3 Piece Telescopic Roof**
- **Reinforced Tailgate complete with Check Chains and reinforcement for Optional Vise Mount**
- **Grab Handles for Cargo Area Access**

### DRIVER'S SIDE:

- Front Compartment - Open, Customizable with Optional Drawers, Shelves and Hooks.
- Horizontal Compartment (Wheel Well Compartment) - One Fixed Shelf and 4" Deep Drawer.
- Rear Compartment - Open, Customizable with Optional Drawers, Shelves and Hooks

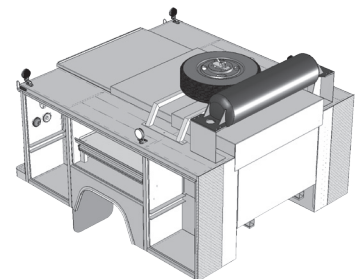
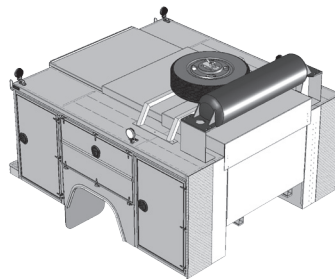
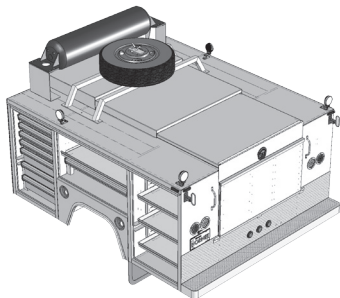
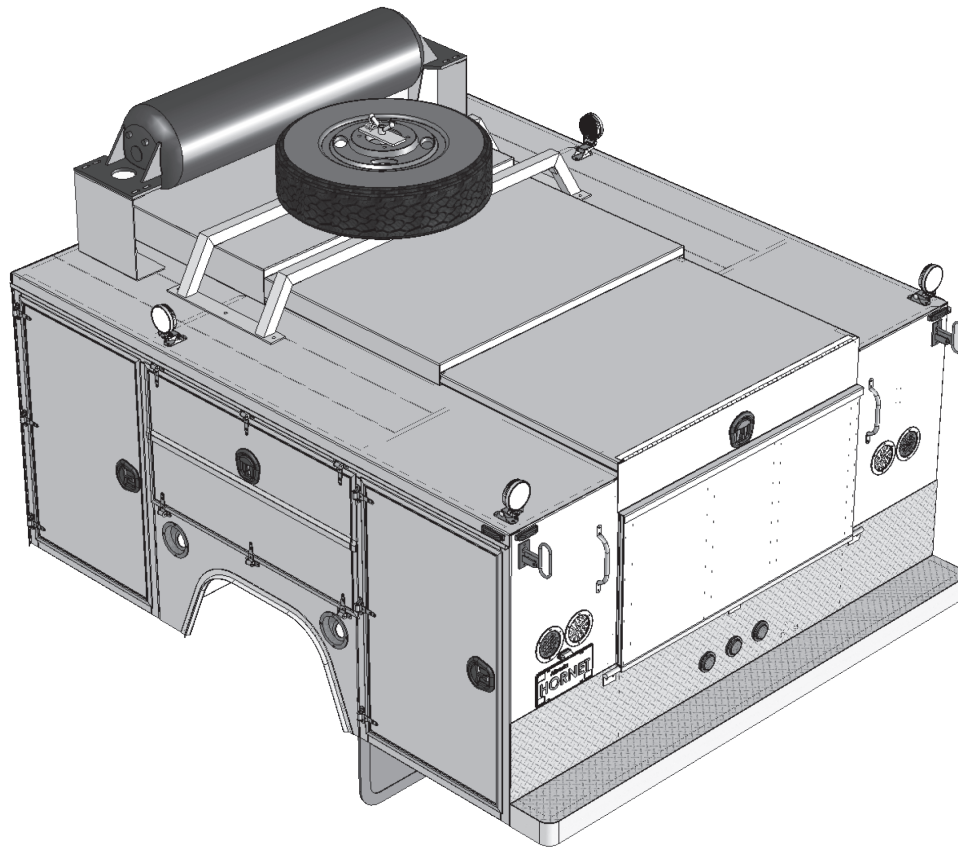
### PASSENGER'S SIDE:

- Front Compartment - Open, Customizable with Optional Drawers, Shelves and Hooks. This compartment can also be modified for use as Oxy/Acetylene storage.
- Horizontal Compartment - One Fixed Shelf and 4" Deep Divided Bolt Bin Style Drawer.
- Rear Compartment - Open, Customizable with Optional Drawers, Shelves and Hooks.

**The Hornet Stinger 9 gives you what you need right away. Go light, go now.**

**ON THE JOB. ON THE FLY.**

# HORNET STINGER 9



Hornet Stinger 9 shown here with Optional Spare Tire Carrier, 35-Gallon Air Receiver, Drawer packs, Adjustable Shelves and LED Work Lights.

**PICK ONE UP AT  
ANY OF OUR THREE  
LOCATIONS:**

#### EDMONTON

8503 Davies Road  
Edmonton, AB. T6E 4N3  
Ph: (780) 468-5331  
Toll Free: 1-800-410-1613  
Fax: (780) 465-5301

#### CALGARY

#150, 5842-86th Avenue  
Calgary, AB. T2C 4L7  
Ph: (403) 250-2115  
Toll Free: 1-800-844-7194  
Fax: (403) 250-1925

#### SASKATOON

3410 Millar Avenue  
Saskatoon, SK. S7K 5Y7  
Ph: (306) 242-6878  
Toll Free: 1-800-341-9914  
Fax: (306) 242-3250

**HORNETBODY.CA PROUDLY MADE IN CANADA BY GENERAL BODY AND EQUIPMENT**

